

vista

style &
simplicity



RAILING SYSTEM



ALUMINUM | WOOD | GLASS | CABLE

vista style & simplicity

At Vista™ we believe our railings create amazing spaces that inspire people to connect. Whether it is a backyard get together with friends, just the two of you sipping on a fresh cup of coffee on an early morning, or a birthday party for your children, our railings create the perfect space.

Through design-forward thinking that embraces simplicity, our stylish railings can be enjoyed with every home.

We live everyday through our core values of safety, trust, integrity, respect and fairness and we are driven by our can-do attitude.

Our roots run deep...over four decades as an industry leader...yet we remain nimble on our feet, innovating, continually growing, continually learning and improving. From our origin in 1974 when wood was the raw material of choice, we were the first railing manufacturer in North America to be environmentally certified with the Forest Stewardship Council. As we have grown, evolved and innovated to provide our customers with the best railing solutions in the industry, we have also continued our commitment to environmental stewardship, with not only environmentally certified materials, but with recycling programs set up throughout our facility.

We design, engineer, test and manufacture premium quality railings in aluminum, glass, cable, mixed materials and wood...all through the lens of style and simplicity. Yet we are more than our amazing products...we are the sum of our people. The best in the industry...passionate, innovative, creative, problem solving, driven professionals with a can do attitude.

How do we describe our culture...we are customer focused, dedicated to continuous improvement; we have a sense of urgency; we are professional; we embrace change and maintain a sense of fun...**if you want amazing...try our railings.**





vista

style &
simplicity

Contents

| | |
|---|-------|
| Our Company | 2 |
| Table of Contents | 3 |
| Aluminum Railing Styles | 4 |
| Aluminum Picket Railing System | 5-6 |
| Aluminum Framed Glass Railing System | 7-8 |
| Aluminum Cable Railing System | 9-10 |
| Aluminum Frameless Glass Railing System | 11-12 |
| Project Planner Software | 13 |
| Privacy Fence | 14 |
| Aluminum Railing Accessories | 15 |
| Deck Railing Kit Styles | 16 |
| Traditional Railing Kit System | 17-18 |
| Tuscany Railing Kit System | 19-20 |
| Somerset Railing Kit System | 21-22 |
| Clearview Railing Kit System | 23-24 |
| Cable Rail Infill | 25 |
| Deck Railing Kit Accessories | 26 |
| Vista Pro | 27 |



vista

style &
simplicity

Aluminum Railing Styles

Aluminum Railing Styles

Aluminum - Regular and Wide Pickets (pages 5-6)



Aluminum - Framed Glass (pages 7-8)



Aluminum - Cable (pages 9-10)



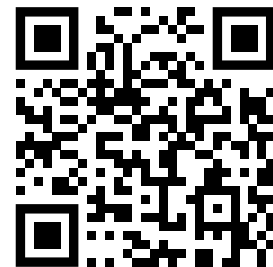
Aluminum - Privacy Fence (page 13)



Aluminum - Framless Glass (pages 11-12)



Scan our QR Code for
more information.



vista



style &
simplicity

Aluminum Picket Railing System



- ✔ **Ease of Installation and Quoting**
Factory attached sleeved brackets mean a quick and simple assembly to assure a professional fit and finish.
- ✔ **Stair Connection is Simple and Clean**
No bulky connector / insert stair rail into post cut out and fasten in place.
- ✔ **Safety Assured**
Tested in accordance with national building codes.
- ✔ **Vista Online Project Planner Software**
Simplifies estimating and installation process.
- ✔ **Consistency**
Same rails used across Vista regular picket, wide picket, framed glass and cable systems.

Aluminum Picket Railing System








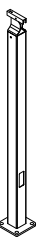
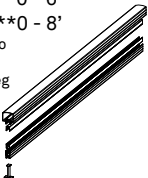
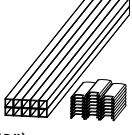
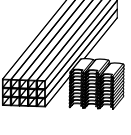
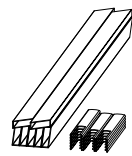
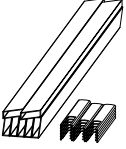

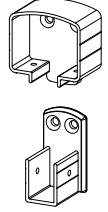
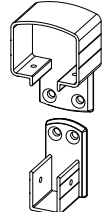
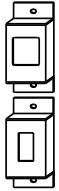

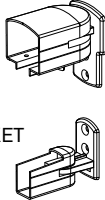
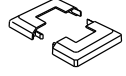


vista

style &
simplicity

Aluminum Picket Railing System

Aluminum Picket Railing System

| | | | |
|--|--|---|--|
|  <p>END 2" POST PB5804**0 - 36" PB5468**0 - 42"</p> |  <p>90DEG 2" POST PB5805**0 - 36" PB5469**0 - 42"</p> |  <p>45DEG 2" POST PB5809**0 - 36" PB5494**0 - 42"</p> |  <p>MID 2" POST PB5806**0 - 36" PB5470**0 - 42"</p> |
|  <p>BLANK 2.5" POST PB7759**0 - 42" BLANK 4" POST PB7761**0 - 42"</p> |  <p>TOP STAIR 2.5" POST PB7737**0 - 36" PB7733**0 - 42"</p> |  <p>BOTTOM STAIR 2.5" POST PB7735**0</p> |  <p>MID STAIR 2" POST WITH SPLICE PB7734**0</p> |
|  <p>LEVEL 2.25" RAIL PB7457**0 - 6' PB7458**0 - 8' *5' & 7' also available (Support leg included)</p> |  <p>REGULAR PICKET (5/8") 4FT: PB7750**0 - 36" PB7739**0 - 42"</p> |  <p>REGULAR PICKET (5/8") 6FT: PB6801**0 - 36" PB7461**0 - 42"</p> |  <p>STAIR PICKETS 4" PB7482**0 - Regular (5/8") PB7731**0 - Wide (1 1/2")</p> |
|  <p>WIDE PICKET 4" (1 1/2") PB7752**0 - 36" PB7730**0 - 42"</p> |  <p>STAIR RAIL 1 3/4" PB7486**0 - 6' PB7484**0 - 8' (fits on 2 1/2" post)</p> |  <p>POST BRACKET PACKAGE PB7473**0</p> |  <p>WALL BRACKET PACKAGE PB7474**0</p> |
|  <p>STAIR BRACKET PACKAGE PB7756**0</p> |  <p>DRINK RAIL ADAPTER 102" with fasteners PB7444**0</p> |  <p>UNIVERSAL ANGLE BRACKET PB7569**0 (Fits on 2" post)</p> |  <p>ALUMINUM BASE COVER PB7744**0 - 2" PB7746**0 - 2.5"</p> |

Note: Check out our accessories on page 15 for more products to complete your project. Contact your local building department prior to installation. **Available in Textured Black (XB), Textured Bronze (YB) or Gloss White (WT).

vista



style &
simplicity

Aluminum Framed Glass Railing System

Aluminum Framed Glass Railing System



- ✔ **Ease of Installation and Quoting**
Factory attached sleeved brackets mean a quick and simple assembly to assure a professional fit and finish.
- ✔ **Safety Assured**
Tested in accordance with national building codes.
- ✔ **Vista Online Project Planner Software**
Simplifies estimating and installation process.
- ✔ **Consistency**
Same rails used across Vista regular picket, wide picket, framed glass and cable systems.
- ✔ **Simple Set-up**
Slide glass panel into top railing and drop to into bottom rail to complete installation.




vista


style &
simplicity

Aluminum Framed Glass Railing System


Aluminum Framed Glass Railing System




END 2" POST
PB5804**0 - 36"
PB5468**0 - 42"
PB7706**0 - 60"




90DEG 2" POST
PB5805**0 - 36"
PB5469**0 - 42"
PB7707**0 - 60"



45DEG 2" POST
PB5809**0 - 36"
PB5494**0 - 42"




MID 2" POST
PB7470**0 - 42"
PB6806**0 - 36"
PB7708**0 - 60"



BLANK 2.5" POST
PB7759**0 - 42"
PB7725**0 - 60"



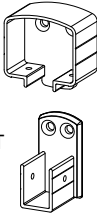
8" GLAZING GASKET
PACKAGE (Black)
PB7041**0



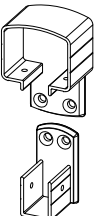
LEVEL
2.25" RAIL
PB7457**0 - 6'
PB7458**0 - 8'
*5' & 7' also available
(Support leg included)



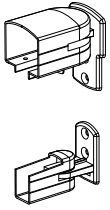
DRINK RAIL
ADAPTER
102" with fasteners
PB7444**0



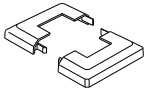
POST BRACKET
PACKAGE (Fits
on 2 1/2" posts)
PB7473**0



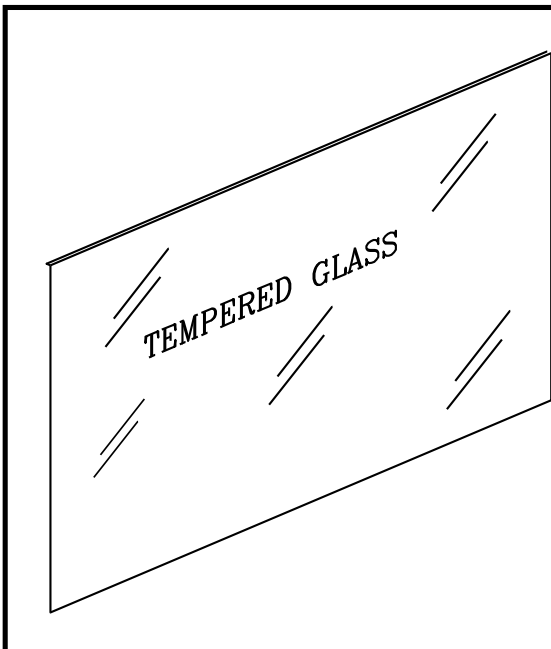
WALL
BRACKET
PACKAGE
PB7474**0



UNIVERSAL
ANGLE
BRACKET
PB7569**0
(Fits on 2"
posts)



ALUMINUM BASE COVER
PB7744**0 - 2"
PB7746**0 - 2.5"



1/4" Clear Tempered Glass Packages Available in:

For a 36" height you require 30" height glass.
Length range from 24" to 54".

For a 42" height you require 36" height glass.
Length range from 24" to 54".

For a 60" height you require 54" height glass.
Length range from 24" to 54"

Glass sizes available in 2" increments. You should have a less than 2" gap on both sides of the glass.

Note: Check out our accessories on page 15 for more products to complete your project. Contact your local building department prior to installation.
**Available in Textured Black (XB), Textured Bronze (YB), or Gloss White (WT).



vista



style &
simplicity

Aluminum Cable Railing System



Aluminum Cable Railing System

- ✔ **Aluminum Posts are Pre-drilled with Pre-threaded Holes**
Simply screw hardware into holes.
- ✔ **No Special Tools Needed to Crimp Swages Onto End of Cable Wire**
Simply cut cable wire to length and insert in hardware to lock in place (release key included with hardware).
- ✔ **Single Post on 90 Degree Corners and Stairs**
No double posting required.
- ✔ **Stair Connection is Simple and Clean**
No bulky connector / insert stair rail into post cut out and fasten in place.
- ✔ **Safety Assured**
Tested in accordance with national building codes.
- ✔ **Ease of Installation and Quoting**
Factory attached sleeved brackets mean a quick and simple assembly to assure a professional fit and finish.
- ✔ **Consistency**
Same rails used across Vista regular picket, wide picket, framed glass and cable systems.



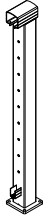
vista

style &
simplicity

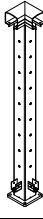
Aluminum Cable Railing System

Aluminum Cable Railing System


END 2.5" POST
PB7864XB - 36"
PB7868XB - 42"




90 DEGREES
CORNER
2.5" POST
PB7865XB - 36"
PB7869XB - 42"



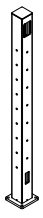
MID 2.5" POST
PB7866XB - 36"
PB7870XB - 42"



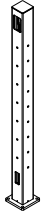
MID STAIR
2" POST
W/RAIL SPLICE KIT
PB7834XB



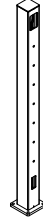
TOP STAIR
2.5" POST
LEFT SIDE FACE*
PB7821XB - 36"
PB7830XB - 42"



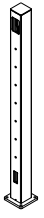
TOP STAIR
2.5" POST
RIGHT SIDE FACE*
PB7822XB - 36"
PB7831XB - 42"



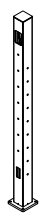
TOP STAIR
2.5" POST
STAIR FACE ONLY*
PB7824XB - 36"
PB7833XB - 42"



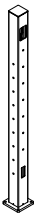
TOP STAIR
2.5" POST
OPPOSITE
SIDE FACE*
PB7823XB - 36"
PB7832XB - 42"



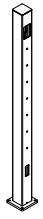
BOTTOM STAIR
2.5" POST
LEFT HOLES*
PB7825XB - 36"
PB7837XB - 42"



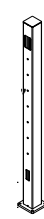
BOTTOM STAIR
2.5" POST - RIGHT
SIDE FACE*
PB7826XB - 36"
PB7838XB - 42"




BOTTOM STAIR
2.5" POST - STAIR
FACE ONLY*
PB7835XB




BOTTOM STAIR
2.5" POST
OPPOSITE SIDE*
PB7827XB - 36"
PB7836XB - 42"




PREDRILLED
INTERMEDIATE
LINE SPACER
PICKET
PB7845XB - 36'
9 holes
PB7846XB - 42"
11 holes




PREDRILLED
INTERMEDIATE
STAIR SPACER
PICKET
PB7847XB



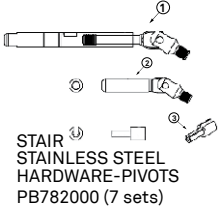
TOP &
BOTTOM
RAILS
PB7457XB - 6'
PB7458XB - 8'
5" & 7" also available
(Support leg included)



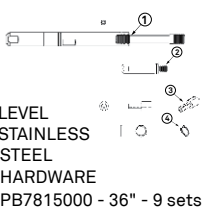
STAIR
RAIL
1 3/4"
PB7486**0 - 6'
PB7484**0 - 8'
(fits on 2 1/2" post)



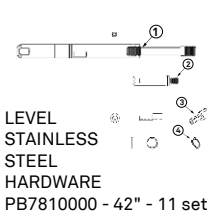
STAIR
STAINLESS STEEL
HARDWARE-PIVOTS
PB782000 (7 sets)



LEVEL
STAINLESS
STEEL
HARDWARE
PB7815000 - 36" - 9 sets



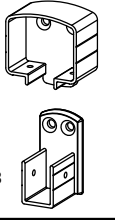
LEVEL
STAINLESS
STEEL
HARDWARE
PB7810000 - 42" - 11 sets




STAINLESS STEEL
CABLE ON SPOOL
7801000 - 100'
7805000 - 500'
1/8 inch Marine Grade (Type 316)




POST
BRACKET
PACKAGE
PB7473XB




CHANNEL
COVER - 2 PCS
PB7806XB



DRINK RAIL
ADAPTER
102" with fasteners
PB7444**0



ALUMINUM BASE COVER
PB7744**0 - 2"
PB7746**0 - 2.5"



NOTE: Check out our accessories on page 15 for more product to complete your project. Contact your local building department prior to installation.

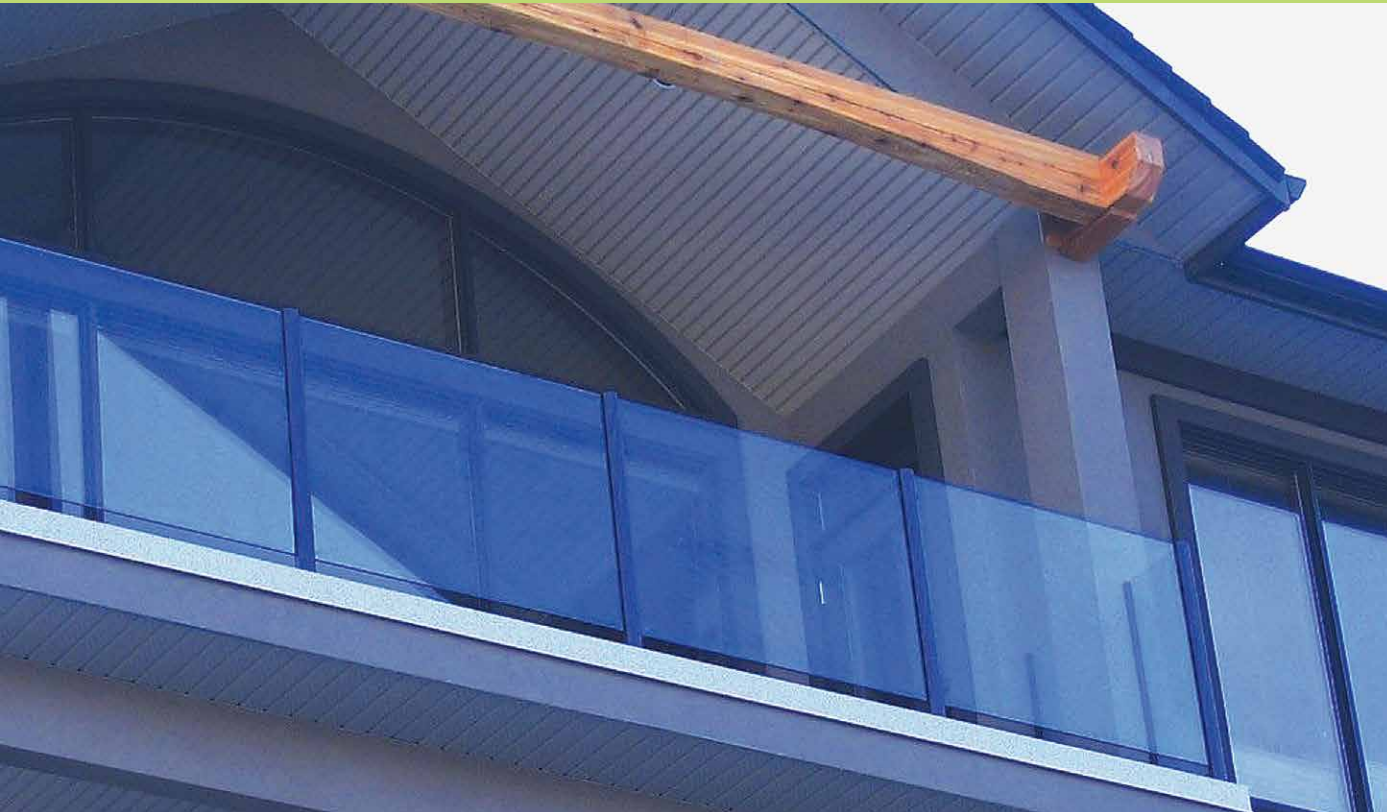
Available in
Textured Black
only. 36" and 42"
available.
*Look up stairs
to determine left
or right.

vista



style &
simplicity

Aluminum Frameless Glass Railing System



Aluminum Frameless Glass Railing System

- ✔ **Ease of Installation**
Set posts, slide glass panels into vertical slots in posts, press post caps into place. Stylish and Simple!
- ✔ **Simplicity**
Connectors are not required. Integrated channels build into posts allows glass to slide into place without additional parts.
- ✔ **Safety Assured**
Tested in accordance with national building codes.
- ✔ **Uninterrupted View**
Enjoy an endless, unobstructed view from your deck. This system is secure without a top or bottom rail so all you'll see is your view.
- ✔ **Flexibility & Versatility**
Allows for a wider range of horizontal angles.

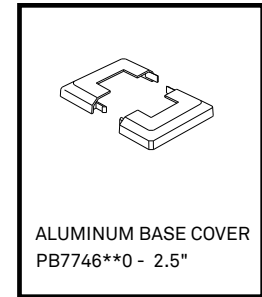
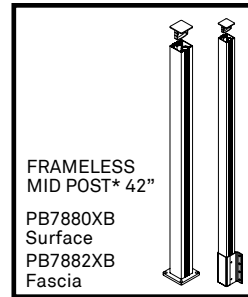
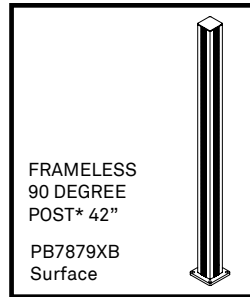
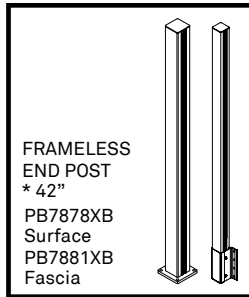


vista

style &
simplicity

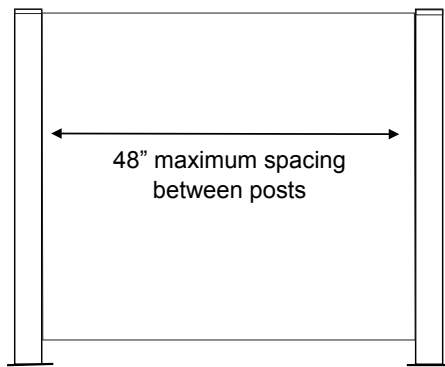
Aluminum Frameless Glass Railing System

Aluminum Frameless Glass Railing System

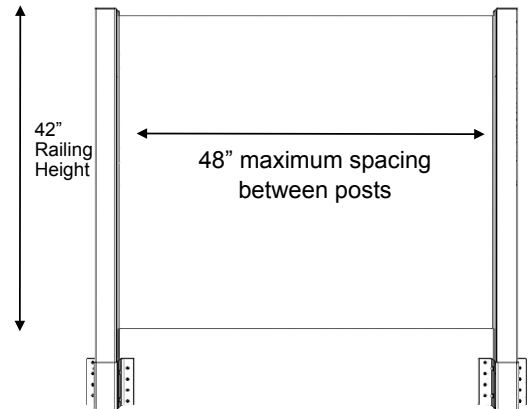


SURFACE MOUNT

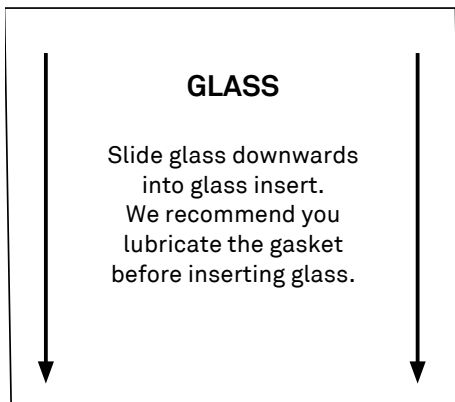
1



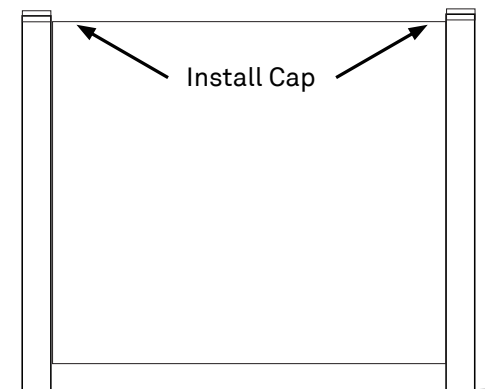
FASCIA MOUNT



2



3



Measuring for Length of Glass

1. Locate posts in desired locations, ensuring all posts are plumb and level.
2. Maintain a maximum of 4ft (from center to center of posts).
3. Measure distance between posts and add 1 1/4" to total measurements. (Ex.: If inside post to inside post measurement equals 45"...45"+1 1/4"=46 1/4", you will need to order 46 1/4" glass).
4. 3/8" glass is 40" high with horizontal polished edges, for 42" system.

Note: Check out our accessories on page 15 for more products to complete your project. When railing is being used as a guardrail, do not exceed the 48" center-to-center spacing as this is outside the engineering specifications and is at the end user's own risk and could result in a failed inspection. The glass code may require a top rail. Contact your local building department prior to installation. Typical 3/8" tempered/laminated. **Available in Textured Black (XB).

vista Project Planner Software

- ▼ Itemized Parts List
- ▼ Computerized Drawings
- ▼ Minimizes Waste & Railing Project Cost
- ▼ Provides Cut List Installation Guide per Railing Section



Contact us today for more details

Bill of Materials

| PartID | PartDesc | Color/Text | Unit | List | Quantity | ExtPrice |
|--------------|---|--------------------|------|----------|----------|-------------------|
| PB7453BK0W | TOP & BOTTOM RAIL 5 FT - BLACK | BLACK | EA | \$61.99 | 2 | \$123.98 |
| PB7458BK0W | TOP & BOTTOM RAIL 8 FT - BLACK | BLACK | EA | \$99.99 | 3 | \$299.97 |
| PB7484BK0W | 1.75in Stair Rail Pkg 8 ft with Splice - BLACK | BLACK | EA | \$104.99 | 2 | \$209.98 |
| PB7041BK0Y | 8 FT GLASS GASKET PACKAGE | NONE | EA | \$24.99 | 4 | \$99.96 |
| PB1465000Y | PACKAGED 6MM CLEAR TEMPERED GLASS (54 X 36) | CLEAR (GLASS ONLY) | EA | \$87.99 | 1 | \$87.99 |
| PB229900Y | PACKAGED 6MM CLEAR TEMPERED GLASS (14 X 36) - Custom Size | CLEAR (GLASS ONLY) | EA | \$106.99 | 1 | \$106.99 |
| PB1459000Y | PACKAGED 6MM CLEAR TEMPERED GLASS (42 X 36) | CLEAR (GLASS ONLY) | EA | \$63.99 | 7 | \$447.93 |
| PB7485BK0W | STAIR PICKET PACKAGE 4 FT - BLACK | BLACK | EA | \$51.99 | 4 | \$207.96 |
| PB7468BK0W | 42" END POST - BLACK | BLACK | EA | \$44.99 | 2 | \$89.98 |
| PB7734BK0W | STAIR MID POST - BLACK | BLACK | EA | \$64.99 | 2 | \$129.98 |
| PB7470BK0W | 42" MID POST - BLACK | BLACK | EA | \$44.99 | 5 | \$224.95 |
| PB7470BK0W | 42" MID POST - BLACK | BLACK | EA | \$49.99 | 2 | \$99.98 |
| PB7733BK0W | 42" TOP STAIR POST - SMALL TOP - BLACK | BLACK | EA | \$49.99 | 2 | \$99.98 |
| PB7735BK0W | BOTTOM STAIR POST - SMALL TOP - BLACK | BLACK | EA | \$49.99 | 2 | \$99.98 |
| PB7469BK0W | 42" 90 DEGREE CORNER POST - BLACK | BLACK | EA | \$44.99 | 2 | \$89.98 |
| PB7473BK0Y | POST BRACKET PACKAGE - BLACK | BLACK | EA | \$21.99 | 2 | \$43.98 |
| TOTAL | | | | | | \$2,363.59 |

Cut List

| PartNo | Section | Length |
|--------|---------|--------|
| | 5 | |
| | 7 | |
| | 7 | |
| | 6 | |
| | 6 | |
| | 6 | |
| | 1 | |
| | 4 | |
| | 2 | |

Technical Drawing

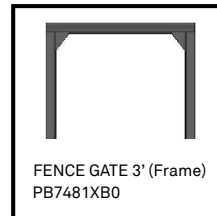
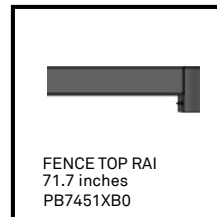
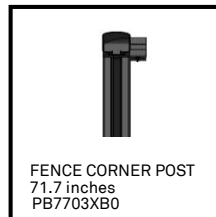
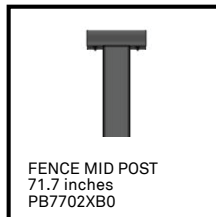
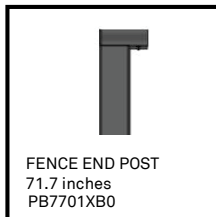
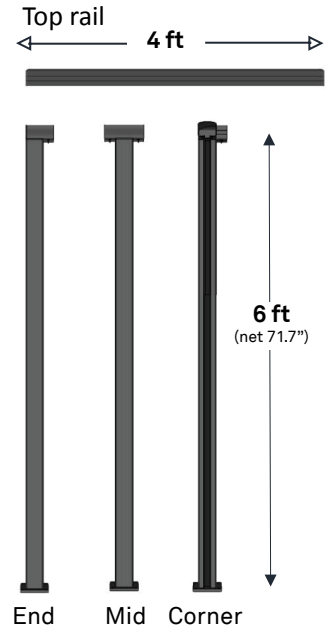





vista

style &
simplicity

Privacy Fence

Privacy Fence



- 
All-in-One Post Kit
 Includes gasket, spacer block, and sleeved rail to post connector. Install with your choice of in-fill material.
- 
Endless Design Options
 Select your choice of 23/64" in-fill.
- 
Ease of Installation
 Set posts, trim in-fill and slide in. Stylish and Simple!

vista



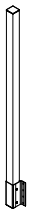
style &
simplicity

Aluminium Railing Accessories

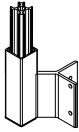
Aluminium Railing Accessories



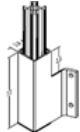
STAIR FASCIA BRACKET WITH POST
(excludes fasteners)
Blank Stair for 2.5" Post
PB5035**




FASCIA BRACKET
(excludes fasteners)
90 Degree Corner for 2" Post
PB5036**



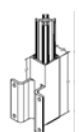
FASCIA BRACKET
(excludes fasteners)
45 Degree Corner for 2" Post
PB5037**




FASCIA BRACKET
(excludes fasteners)
Inside 45 Degree for 2.5" Post
PB5038**



FASCIA BRACKET
(excludes fasteners)
Mid End for 2" Post
PB5039**



ADA RAIL

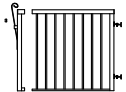


PB7482**0

ADA HANDRAIL ACCESSORIES
Elbow & Return

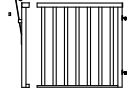


REGULAR PICKET GATE




Picket gate for 42" height
PB7480**

WIDE PICKET GATE



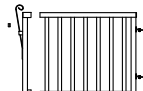
Picket gate for 42" height
PB7736**

REGULAR PICKET GATE



Picket gate for 36" height
PB6808**

WIDE PICKET GATE




Picket gate for 36" height
PB7751**

DRINK RAIL ADAPTER




102" Drink Rail (with fasteners)
PB7444**0

TOUCH UP PAINT




PB6762**0

SPAX BOLTS



PB7710

ALUMINUM BASE COVER



PB7744**0 - 2"
PB7746**0 - 2 1/2"



vista

style &
simplicity

Deck Railing Kit Styles

Deck Railing Kit Styles

Railing Kits: Professional looking results in half the time.

Our railing kits provide everything needed between the posts for quick and easy purchase and installation.

Traditional Railing Kit

Round/straight balusters (pages 17-18)



Somerset Railing Kit

Square balusters (pages 21-22)



Tuscany Railing Kit

Curved balusters (pages 19-20)



Cable Infill

Interior or exterior use (page 25)

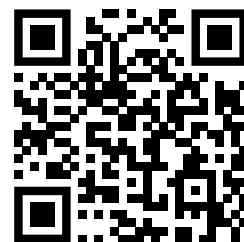


Clearview Glass Railing Kit

(pages 23-24)



Scan our QR Code for
more information.



vista



style &
simplicity

Traditional Railing Kit System



Traditional Railing Kit System

- ✔ **All-In-One Kit**
Everything you need between the posts!
- ✔ **Ease of Installation**
Factory precision pre-drilled rails speed up and simplify installation.
- ✔ **Cost Effective**
Installs in half the time of alternative component systems saving time, money and frustration.
- ✔ **Low Maintenance**
Powder-coated balusters that never require painting or staining and never rot, twist or split.
- ✔ **Safety Assured**
Tested in accordance with national building codes.

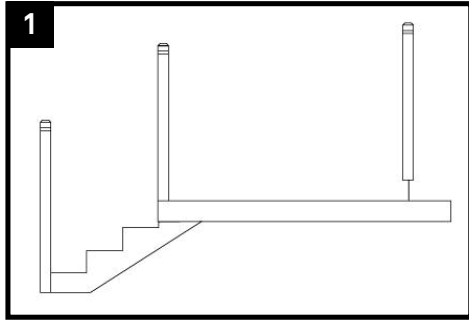


vista

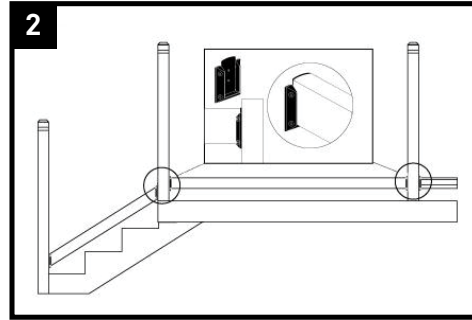
style & simplicity

Traditional Railing Kit System

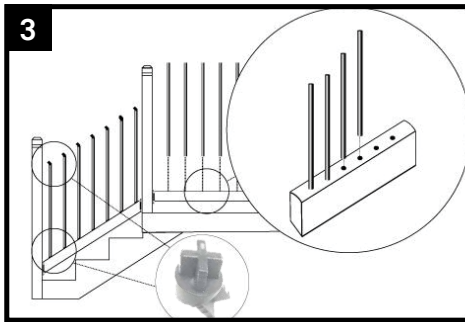
Traditional Railing Kit System



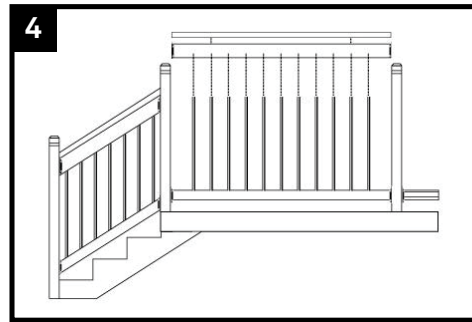
1 Set new posts (sold separately) to accommodate pre-drilled rail length. Center pre-drilled rail between newel posts and trim equal amounts from each end of top and bottom rails.



2 Slide Rail Hanger Bracket over the end of the rail and attach with screws through end of rail. (Hint: Opening of bracket must always be up)



3 With a high-quality polyurethane construction adhesive, fill all the holes half way. Insert balusters into pre-drilled holes in rail. This will bond the wood to the balusters. Best to use 26" baluster option for stairs.



4 Attach pre-drilled top rail, fasten railing section to post with hanger bracket, attach cap rail with high-quality construction adhesive.

EVERYTHING YOU NEED BETWEEN THE POSTS!

- 2 profiled & precision factory pre-drilled rails
- 1 profiled cap rail
- 2 pairs of rail hanger brackets with fasteners
- Powder-coated balusters (round/straight)



6FT kit 36" 3 rail Brown Treated - CRBTR6B26M
6FT kit 36" 3 rail Premium Western Red Cedar - CRWRC6B26M



6FT kit 42" 3 rail Brown Treated - CRBTR6B32M
6FT kit 42" 3 rail Premium Western Red Cedar - CRWRC6B32M



8FT kit 36" 3 rail Brown Treated - CRBTR8B26M
8FT kit 42" 3 rail Brown Treated - CRBTR8B32M



STAIR ANGLE ADAPTERS - Black 15 pack AL9400B00W



RAIL HANGER BRACKET Pack of 2 with fasteners HW9509600W



Note: Contact your local building department prior to installation. Available in Premium Western Red Cedar and Brown Treated. Level kits can be converted by using the stair rail adapters that change baluster to rail connection to an exterior stair angle. Posts also available for purchase in Premium Western Red Cedar and Brown Treated (posts not included in kit). Available in 36" and 42" railing height.

vista



style &
simplicity

Tuscany Railing Kit System



Tuscany Railing Kit System

- ▼ **All-In-One Kit**
Everything you need between the posts!
- ▼ **Ease of Installation**
Factory precision pre-drilled rails speed up and simplify installation.
- ▼ **Cost Effective**
Installs in half the time of alternative component systems saving time, money and frustration.
- ▼ **Low Maintenance**
Powder-coated balusters that never require painting or staining and never rot, twist or split.
- ▼ **Safety Assured**
Tested in accordance with national building codes.

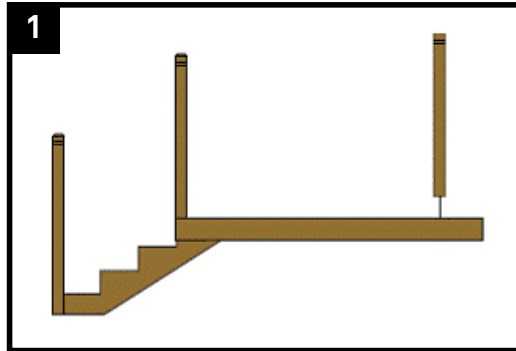


vista

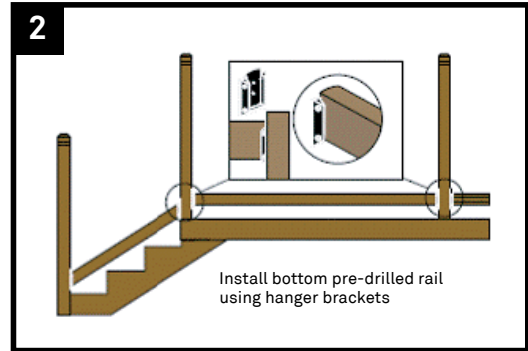
style &
simplicity

Tuscany Railing Kit System

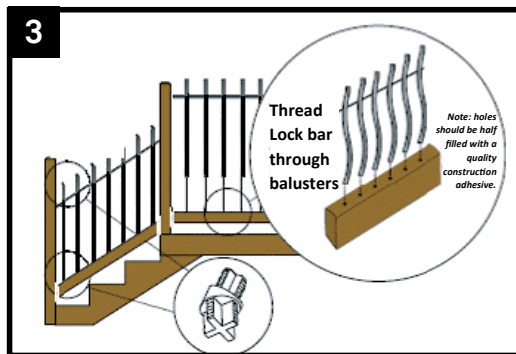
Tuscany Railing Kit System



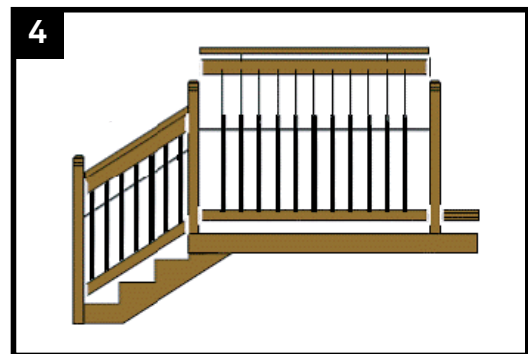
1 Install newel posts (Sold separately)



2 Install bottom rails



3 Install balusters



4 Install pre-drilled top rail

EVERYTHING YOU NEED BETWEEN THE POSTS!

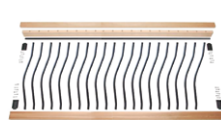
- ✔ 2 profiled & precision factory pre-drilled rails
- ✔ 1 profiled cap rail
- ✔ Powder-coated balusters (Round/curved Level or Stair)
- ✔ Accent lock bar
- ✔ 2 pairs of rail hanger brackets with fasteners
- ✔ Stair kit include angle adapters

LEVEL KIT



6FT kit 42" 3 rail Brown Treated – TRBTR6B32M
6FT kit 42" 3 rail Premium Western Red Cedar – TRWRC6B32M

LEVEL KIT



8FT kit 42" 3 rail Brown Treated – TRBTR8B32M

STAIR KIT



6FT Stair kit (36°) 36" 3 rail Brown Treated – TSBTR6B27M
6FT Stair kit (36°) 36" 3 rail Premium Western Red Cedar – TSWRC6B27M



RAIL HANGER BRACKET
Pack of 2 with fasteners
HW9509600W



Note: Contact your local building department prior to installation. Level & Stair kits available in Premium Western Red Cedar and Brown Treated. Posts also available for purchase in Premium Western Red Cedar or Brown Treated options (posts not included in kit). Available in 42" railing height only.

vista



style &
simplicity

Somerset Railing Kit System



Somerset Railing Kit System

- ✔ **All-In-One Kit**
Everything you need between the posts!
- ✔ **Ease of Installation**
Factory precision pre-drilled rails speed up and simplify installation.
- ✔ **Cost Effective**
Installs in half the time of alternative component systems saving time, money and frustration.
- ✔ **Low Maintenance**
Powder-coated balusters that never require painting or staining and never rot, twist or split.
- ✔ **Safety Assured**
Tested in accordance with national building codes.

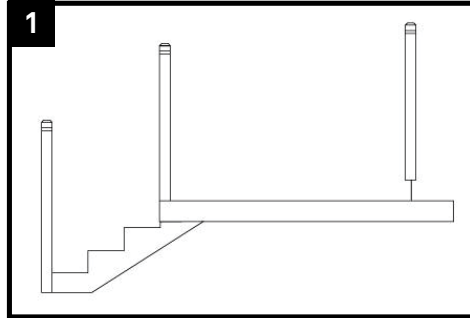


vista

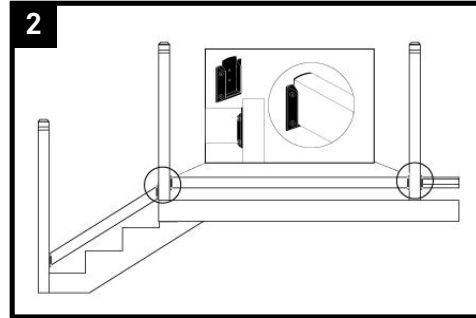
style & simplicity

Somerset Railing Kit System

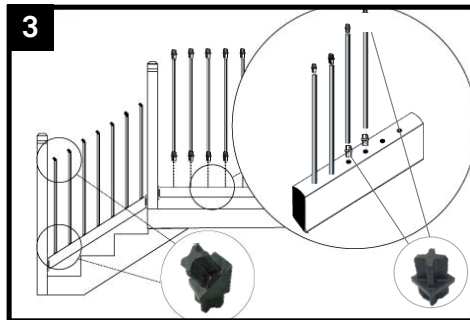
Somerset Railing Kit System



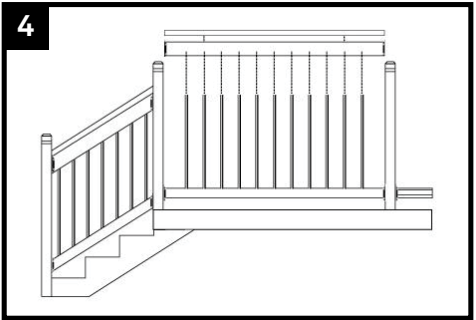
1 Set new posts (sold separately) to accommodate pre-drilled rail length. Center pre-drilled rail between new posts and trim equal amounts from each end of top and bottom rails.



2 Slide Rail Hanger Bracket over the end of the rail and attach with screws through end of rail. (Hint: Opening of bracket must always be up)



3 With a high-quality polyurethane construction adhesive, fill all the holes half way. Insert balusters with adapters into pre-drilled holes in rail. This will bond the wood to the balusters.



4 Attach pre-drilled top rail, fasten railing section to post with hanger bracket, attach cap rail with high-quality construction adhesive.

EVERYTHING YOU NEED BETWEEN THE POSTS!

- ✔ 2 precision factory pre-drilled rails
- ✔ 1 cap rail
- ✔ Powder-coated balusters (square/straight)
- ✔ Level Kit includes 30 baluster adapters
- ✔ Stair Kit includes 30 angled baluster adapters
- ✔ 2 pairs of rail hanger brackets with fasteners

LEVEL



6FT kit 42" 3 rail Brown Treated – SRBTR6B32M
6FT kit 42" 3 rail Premium Western Red Cedar – SRWRC6B32M

STAIR



6FT Stair kit 36" 3 rail Brown Treated – SSBTR6B26M
6FT Stair kit 36" 3 rail Premium Western Red Cedar – SSWRC6B26M

RAIL HANGER BRACKET
Pack of 2 with fasteners
HW9509600W



Note: Contact your local building department prior to installation. Level & Stair kits available in Premium Western Red Cedar and Brown Treated. Posts also available for purchase in Premium Western Red Cedar or Brown Treated options (posts not included in kit). Available in 42" railing height only.

vista



style &
simplicity

Clearview Railing Kit System



Clearview Railing Kit System

- ✔ **Quick and Easy**
A two-box system with tempered glass panels in one box and pre-slotted rails and brackets in another box.
- ✔ **Ease of Installation**
Factory precision pre-slotted rails speed up and simplify installation.
- ✔ **Cost Effective**
Installs in half the time of alternative component systems saving time, money and frustration.
- ✔ **Style & Simplicity**
Beautiful craftsmanship that provides a clean and contemporary look with unobstructed views.
- ✔ **Safety Assured**
Tested in accordance with national building codes.

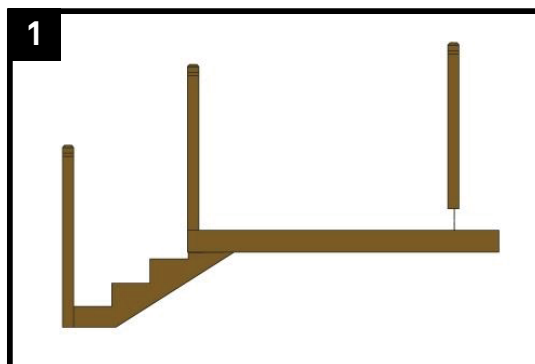


vista

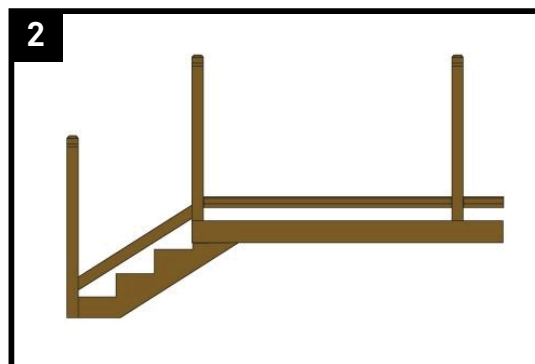
style & simplicity

Clearview Railing Kit System

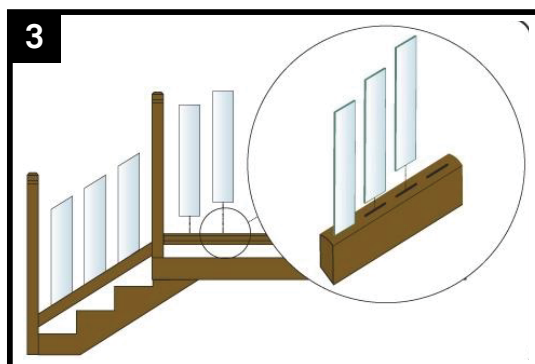
Clearview Railing Kit System



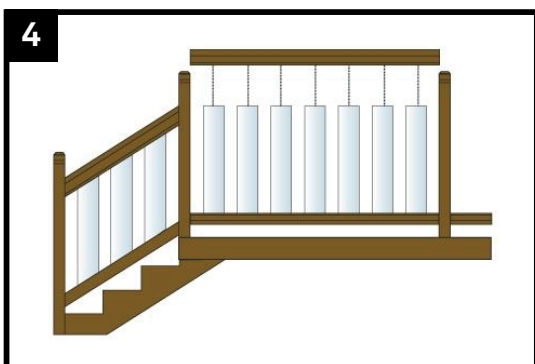
1 Install newel posts (sold separately)



2 Install bottom rail



3 Install glass panels



4 Install top rail

PREMIUM CLEARVIEW DECK RAILING KITS (2 PC PKG)

- ✔ 3 Profiled and Pre-slotted Rails
- ✔ 2 pairs of rail hanger brackets with fasteners
- ✔ Glass Package Includes:
 - 5/16" clear tempered glass panels
 - Available in 36" or 42" deck railing height

CLEARVIEW GLASS PANELS (1 CARTON)

5/16" x 6" x 26-1/4" Clear Tempered Glass Panel (for 36" railing height) – GL9000C26W

5/16" x 6" x 32-1/4" Clear Tempered Glass Panel (for 42" railing height) – GL9000C32W

5/16" x 6" x 33-1/2" Clear Tempered Glass Panel (for Stair railing) - GL9000C33H

PRO-FILED & PRE-SLOTTED RAILING KITS WITH RAIL HANGER BRACKETS

6 ft Green Treated Deck Railing Kit (3 rail pieces - 7 slots) – CVTRTCP061

6 ft Green Treated Stair Railing Kit (3 rail pieces - 6 slots) – CVTRTCS061

6 ft Premium Western Red Cedar Deck Railing Kit (3 rail pieces - 7 slots) – CVWRCCP061

6 ft Premium Western Red Cedar Stair Railing Kit (3 rail pieces - 6 slots) – CVWRCCS061



RAIL HANGER BRACKET
Pack of 2 with fasteners
HW9509600W



Note: Contact your local building department prior to installation. Available in Premium Western Red Cedar or Green Treated. Kits come in Level and Stair options. Glass and railing sold separately. Posts also available for purchase in Premium Western Red Cedar and Green Treated (posts not included in kit). Available in 36" and 42" railing height.



Cable Infill



- CK10205SSW – 5 ft Wide Cable Infill Pack (One 5 ft long cable with fittings)
- CK10210SSW – 10 ft Wide Cable Infill Kit (One 10 ft long cable with fittings)
- CK10215SSW – 15 ft Wide Cable Infill Kit (One 15 ft long cable with fittings)
- CK10220SSW – 20 ft Wide Cable Infill Kit (One 20 ft long cable with fittings)
- CK10250SSW – 50 ft Wide Cable Infill Kit (one 50 ft long cable with fittings)
- CK102ECSSW – Stainless Steel end cap (10 end caps in a bag)
- CK102PTSSW – Stainless Steel 3/4" Protector Tube (10 protectors in a bag)
- CK102WCSSW – Stainless Steel Wall Connector Hardware (each)

Each Pack Includes:

- 1/8" diameter stainless steel cable wire (specified length)
- Pre-attached threaded stud
- Stainless Steel washer for wood (and metal)
- Brass locknut
- Pull Lock



All-in-One Package

Includes all needed hardware for wood, composite, vinyl and metal posts.



"Swageless" System

No special crimping tools required. Fittings designed to "hide" inside post. Can be used for level and stair applications.



Stainless Steel Cables

1/8" 19 strand, 316 stainless steel.



vista

style &
simplicity

Deck Railing Kit Accessories

Deck Railing Kit Accessories



DECK POSTS

1. Premium Western Red Cedar, no knots (WRC)
2. Brown Treated (BT)



WRC - 54" deck post
CE9106054W

BT - 54" deck post
BT9106054U



BALUSTER CONNECTORS
(with fasteners) - 20 Pack
AL9401000W



TRADITIONAL 11/16"
BALUSTERS - 10 Pack
AL9300B26W - 26"
AL9300B32W - 32"



STAIR ANGLE
ADAPTERS
Black - 15 Pack
AL9400B00W



STAIR BALUSTER CONNECTORS
(with fasteners)
Black - 20 Pack
AL9402B00W



RAIL HANGER
BRACKET - 2 piece
black rail (with fasteners)
HW9509600W



HAND RAIL

1 3/8" x 2 1/2" x 71 3/4'
WRC - CE224CS06A
BT - BT224CS06A

1 3/8" x 2 1/2" x 95 3/4'
BT - BT224CS08A



PROFILED &
PRE-DRILLED RAIL
(Fits Vista 11/16" OD balusters)

6FT (71 1/2"):
WRC - CE279US06L
BT - BT279US06L

8ft (95 1/2"):
BT - BT279US08L



WRC is Premium Western Red Cedar. BT is Brown Treated

vista pro

**Multi-Family
Railing Specialists**

**Experienced
Designers**

Project Support



VistaProRailings.com | 1-800-667-8247

VistaPro Railings, a division of Vista Railing Systems Inc.

vista

style &
simplicity



Phone: +1 800 667-8247
Email: sales@vistarailings.com

www.vistarailings.com